

STANDEARD BAND HEATERS / METRIC

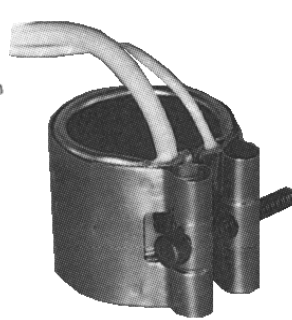
(Mede in Japan)

Band heaters are made with average 5W/cm² watt density for longer service Life



STYLE A

Lead wire from the side



STYLE B

Lead wire from the straight



STYLE C

Caulk type

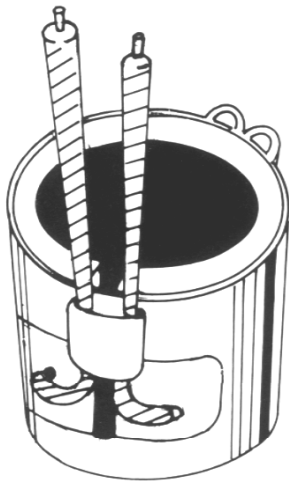


STYLE D

High conductivity

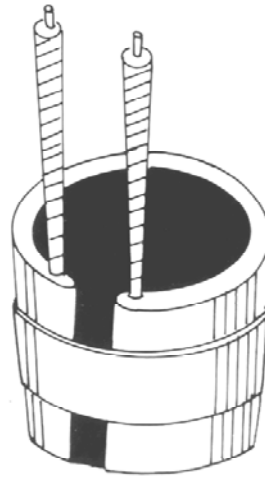
ID (mm)	WIDTH (mm)	WATTAGE (200V)	CATALOG NOUMBER			
			STYLE A	STYLE B	STYLE C	STYLE D
25	25	90	D2525	A2525	C2525	T2525
	30	110	D2530	A2530	C2530	T2530
	35	130	D2535	A2535	C2535	T2535
	40	150	D2540	A2540	C2540	T2540
	45	170	D2545	A2545	C2545	T2545
	50	190	D2550	A2550	C2550	T2550
30	30	140	D3030	A3030	C3030	T3030
	35	160	D3035	A3035	C3035	T3035
	40	190	D3040	A3040	C3040	T3040
	45	210	D3045	A3045	C3045	T3045
	50	230	D3050	A3050	C3050	T3050
	55	250	D3055	A3055	C3055	T3055
35	60	280	D3060	A3060	C3060	T3060
	35	180	D3535	A3535	C3535	T3535
	40	210	D3540	A3540	C3540	T3540
	45	240	D3545	A3545	C3545	T3545
	50	270	D3550	A3550	C3550	T3550
	55	290	D3555	A3555	C3555	T3555
	60	320	D3560	A3560	C3560	T3560
	65	350	D3565	A3565	C3565	T3565
70	370	D3570	A3570	C3570	T3570	

[] Boring Details(MIN)



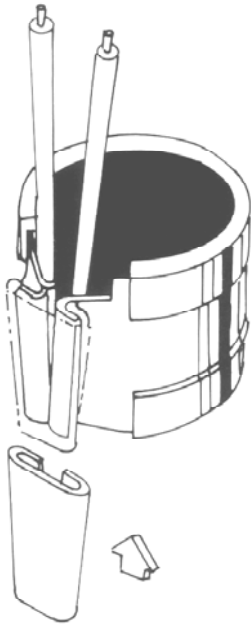
STYLE A

Lead wire from the side



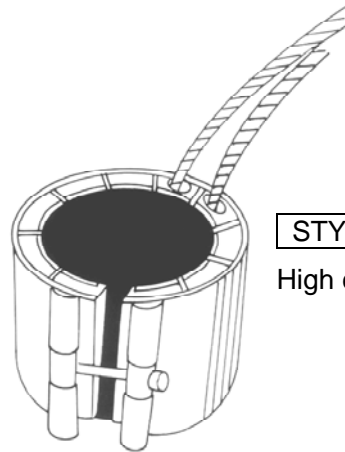
STYLE B

Lead wire from the straight



STYLE C

Caulk type



STYLE D

High conductivity

ID (mm)	WIDTH (mm)	WATTAGE (200V)	CATALOG NOUMBER			
			STYLE A	STYLE B	STYLE C	STYLE D
40	35	210	D4035	A4035	C4035	T4035
	40	240	D4040	A4040	C4040	T4040
	45	270	D4045	A4045	C4045	T4045
	50	310	D4050	A4050	C4050	T4050
	55	340	D4055	A4055	C4055	T4055
	60	370	D4060	A4060	C4060	T4060
	65	400	D4065	A4065	C4065	T4065
	70	430	D4070	A4070	C4070	T4070
	75	460	D4075	A4075	C4075	T4075
45	35	240	D4535	A4535	C4535	T4535
	40	280	D4540	A4540	C4540	T4540
	45	320	D4545	A4545	C4545	T4545
	50	350	D4550	A4550	C4550	T4550
	55	380	D4555	A4555	C4555	T4555
	60	420	D4560	A4560	C4560	T4560
	65	450	D4565	A4565	C4565	T4565
	70	490	D4570	A4570	C4570	T4570
	75	520	D4575	A4575	C4575	T4575
	80	560	D4580	A4580	C4580	T4580

[] Boring Details(MIN)