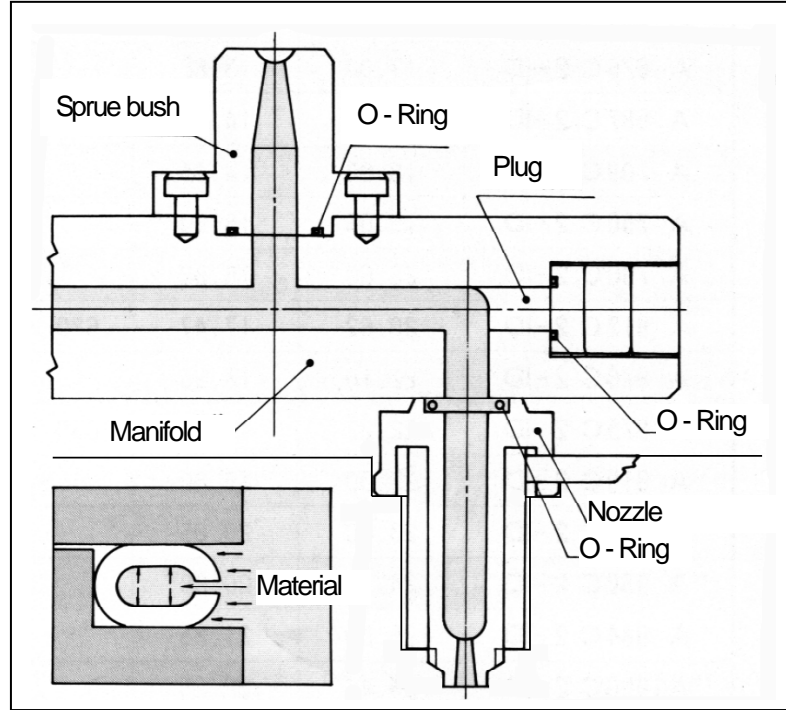
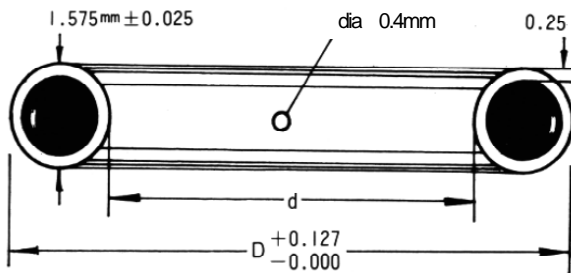


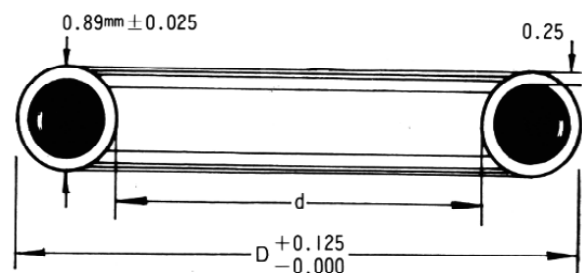
Stainless O-Ring



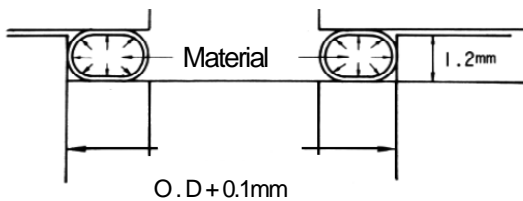
Type A



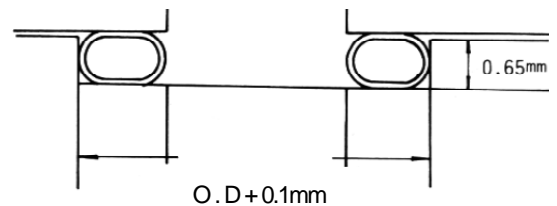
Type G



Type A : Mounting dimension



Type G : Mounting dimension



Type A

Catalogue	O.D (mm)	I.D (mm)
A 500 C-2-ID	12.70	9.55
A 512 C-2-ID	13.00	9.85
A 562 C-2-ID	14.27	11.12
A 625 C-2-ID	15.87	12.72
A 630 C-2-ID	16.00	12.85
A 670 C-2-ID	17.00	13.86
A 687 C-2-ID	17.45	14.30
A 709 C-2-ID	18.00	14.85
A 750 C-2-ID	19.05	15.90
A 790 C-2-ID	20.00	16.86
A 812 C-2-ID	20.62	17.47
A 870 C-2-ID	22.10	18.96
A 875 C-2-ID	22.22	19.07
A 910 C-2-ID	23.00	19.86
A 937 C-2-ID	23.80	20.65
A 950 C-2-ID	24.13	20.98
A 984 C-2-ID	25.00	21.85
A1000 C-2-ID	25.40	22.25
A1020 C-2-ID	26.00	22.86
A1062 C-2-ID	26.97	23.80
A1125 C-2-ID	28.57	25.40
A1188 C-2-ID	30.18	27.03
A1250 C-2-ID	31.75	28.60
A1375 C-2-ID	34.92	31.77
A1496 C-2-ID	38.00	34.85
A1625 C-2-ID	41.28	38.13
A1750 C-2-ID	44.45	41.30
A1772 C-2-ID	45.00	41.85

Type G

Catalogue	O.D (mm)	I.D (mm)
G - 0250	6.40	4.62
G - 0281	7.19	5.41
G - 0312	7.97	6.19
G - 0344	8.79	7.01
G - 0375	9.58	7.80
G - 0406	10.36	8.58
G - 0438	11.18	9.40
G - 0469	11.96	10.18
G - 0500	12.75	10.97
G - 0562	14.32	12.54
G - 0625	15.93	14.15
G - 0688	17.53	15.75
G - 0750	19.10	17.32
G - 0812	20.67	18.89
G - 0875	22.28	20.50
G - 0938	23.88	22.10
G - 1000	25.45	23.67
G - 1125	28.63	26.85
G - 1250	31.80	30.02
G - 1375	34.98	33.20
G - 1500	38.15	36.37
G - 1625	41.33	39.55
G - 1750	44.50	42.72
G - 1875	47.68	45.90
G - 2000	50.85	49.07

